

ELECTRO-PROPORTIONAL
HITCH CONTROL VALVE

KTEM/ KTMS series

KTEM and KTMS valves are ideally suited for hitch control of agricultural implements of tractors and combines. These valves control lifting and lowering of farm implements by means of proportional solenoid control.



KTEM/KTMS

series

ADVANTAGES

Superior Controllability

KTEM and KTMS valves offer precise hitch control by means of proportional solenoid valves equipped with pressure compensating function.

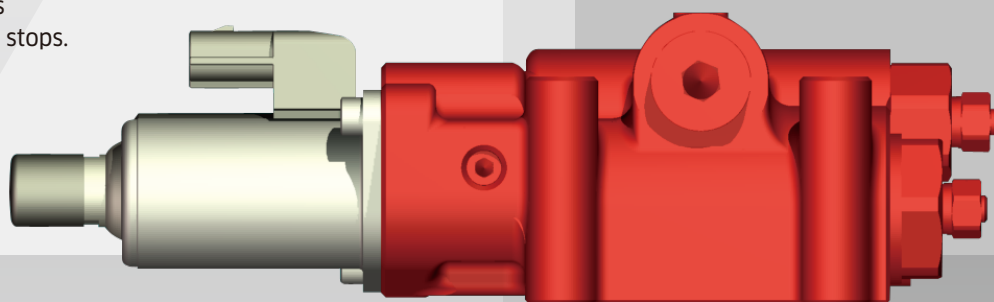
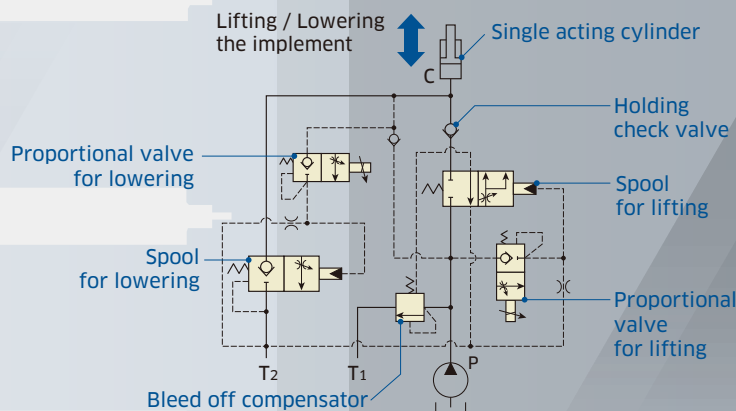
Excellent Reliability

KTEM and KTMS valves operate well in a harsh environment with superior contamination resistance. Also, these valves with minimal leakage are capable of holding the attached implements high as well as lowering the implements even when the engine stops.

Compact Design

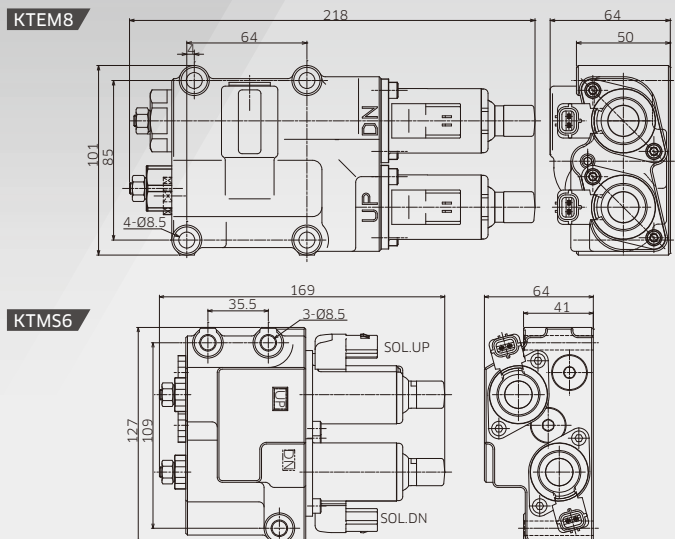
With compact and light-weight design KTEM and KTMS valves save space.

Hydraulic Circuit for KTEM



DIMENSIONS

Installation Dimensions



LINEUP



Model	KTEM8/20	KTEM8/30	KTEM8/60	KTMS6
Max Pressure [MPa]		20.6		20.6
Rated Flow [L/min]	20	30	60	20

CONTROL OPTIONS

- Electronic Proportional Control
Rated Current: 1.6 A Coil Resistance: 3.1 Ω (at 20 °C)

Specifications are subject to change without notice.

Kawasaki Heavy Industries, Ltd.
Precision Machinery Company
<http://www.khi.co.jp/kpm/>

Tokyo Head Office
1-14-5, Kaigan, Minato-ku, Tokyo 105-8315, Japan
Tel: +81-3-3435-6862 Fax: +81-3-3435-2023

Kobe Head Office
Kobe Crystal Tower, 1-3 Higashikawasaki-cho 1-chome, Chuo-ku, Kobe 650-8680, Japan
Tel: +81-78-360-8607 Fax: +81-78-360-8609

Nishi-kobe Works
234, Matsumoto, Hasetani-cho, Nishi-ku, Kobe 651-2239, Japan
Tel: +81-78-991-1160 Fax: +81-78-991-3186

Kawasaki Precision Machinery (UK) Ltd.
Ernesettle Lane, Ernesettle, Plymouth, Devon, PL5 2SA United Kingdom
Tel: +44-1752-364394 Fax: +44-1752-364816
<http://www.kpm-eu.com>

Kawasaki Precision Machinery (U.S.A.), Inc.
3838 Broadmoor Avenue S.E. Grand Rapids, Michigan 49512, U.S.A.
Tel: +1-616-975-3100 Fax: +1-616-975-3103
<http://www.kpm-usa.com>

Kawasaki Precision Machinery Trading (Shanghai) Co., Ltd.
17th Floor (Room 1701), The Headquarters Building, No168, XiZang Road (M), Huangpu District, Shanghai, 200001, China
Tel: +86-21-3366-3800 Fax: +86-21-3366-3808

Flutek, Ltd.
98 GIL 6, Gongdan-Ro, Seongsan-Ku, Changwon-Si, Kyungnam, 641-370, Korea
Tel: +82-55-210-5900 Fax: +82-55-286-5557

Wipro Kawasaki Precision Machinery Private Limited
No. 15, Sy. No. 35 & 37, Kumbalgodu Industrial Area, Kumbalgodu Village, Kengeri Hobli, Bangalore, -560074, India



QR code
Precision Machinery
Company Website