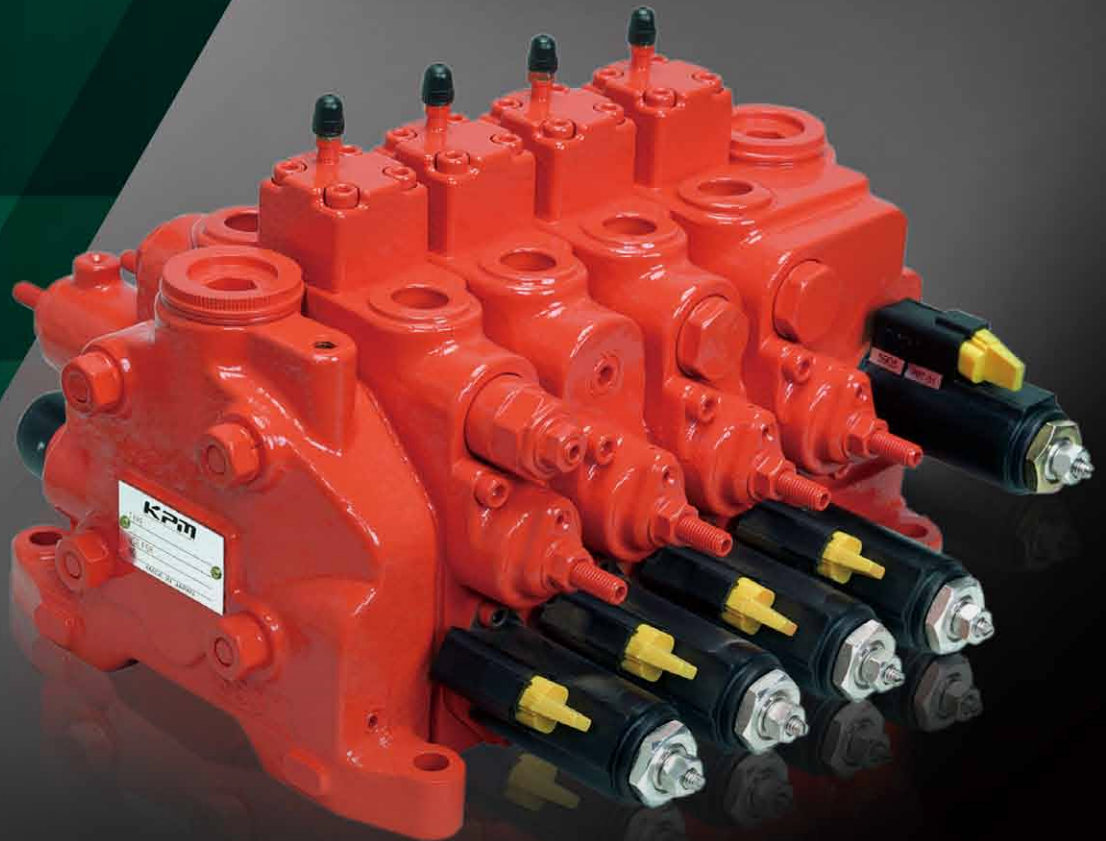


PROPORTIONAL MULTIPLE  
CONTROL VALVE  
WITH PRESSURE COMPENSATOR

# KMP series

The KMP series offers electro-proportional control valve with integrated pressure compensator and internal pilot supply for electro-hydraulic control of various mobile vehicles.



# KMP series

## ADVANTAGES

### High Controllability

High controllability enables precise inching operations. Integrated pressure compensator ensures stable operation control in low flow ranges.

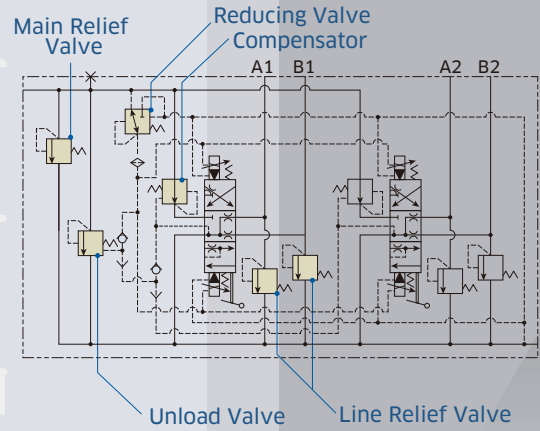
### Emergency Operation

Equipped with a manual control lever, manual operation is available in case of emergency.

### Compact Design

The internal pilot system which eliminates external pilot pressure source requirements enables compact design.

#### Hydraulic Circuit for KMP10

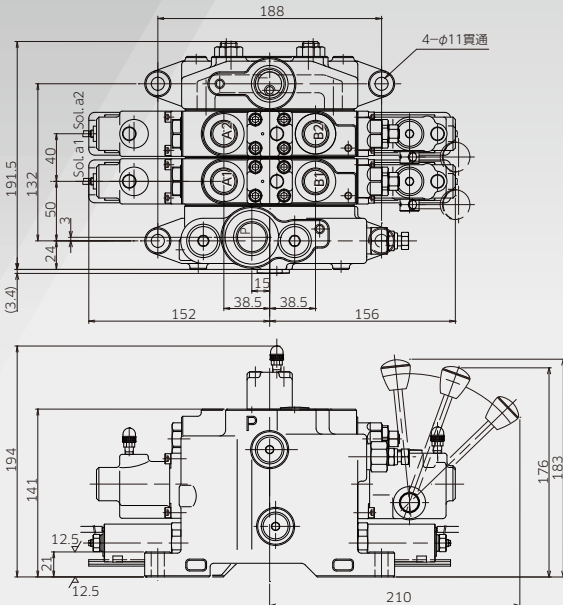


## DIMENSIONS

### Installation Dimensions

Unit: mm

KMP10



## LINEUP



Model	KMP10	
Max Pressure [MPa]	30.9	
Rated Flow [L/min]	P port	70
	Lowering & Lifting	10

### SOLENOID SPECIFICATIONS

Model	KMP10	
Rated Current [A]	0.7	1.6
Coil Resistance at 20 °C [Ω]	17.5	3.2

Specifications are subject to change without notice.

**Kawasaki Heavy Industries, Ltd.**  
Precision Machinery Company  
<http://www.khi.co.jp/kpm/>

**Tokyo Head Office**  
1-14-5, Kaigan, Minato-ku, Tokyo 105-8315, Japan  
Tel: +81-3-3435-6862 Fax: +81-3-3435-2023

**Kobe Head Office**  
Kobe Crystal Tower, 1-3 Higashikawasaki-cho 1-chome, Chuo-ku, Kobe 650-8680, Japan  
Tel: +81-78-360-8607 Fax: +81-78-360-8609

**Nishi-kobe Works**  
234, Matsumoto, Hasetani-cho, Nishi-ku, Kobe 651-2239, Japan  
Tel: +81-78-991-1160 Fax: +81-78-991-3186

**Kawasaki Precision Machinery (UK) Ltd.**  
Ernesettle Lane, Ernesettle, Plymouth, Devon, PL5 2SA United Kingdom  
Tel: +44-1752-364394 Fax: +44-1752-364816  
<http://www.kpm-eu.com>

**Kawasaki Precision Machinery (U.S.A.), Inc.**  
3838 Broadmoor Avenue S.E. Grand Rapids, Michigan 49512, U.S.A.  
Tel: +1-616-975-3100 Fax: +1-616-975-3103  
<http://www.kpm-usa.com>

**Kawasaki Precision Machinery Trading (Shanghai) Co., Ltd.**  
17th Floor (Room 1701), The Headquarters Building, No168, XiZang Road (M), Huangpu District, Shanghai, 200001, China  
Tel: +86-21-3366-3800 Fax: +86-21-3366-3808

**Flutek, Ltd.**  
98 Gil 6, Gongdan-Ro, Seongsan-Ku, Changwon-Si, Kyungnam, 641-370, Korea  
Tel: +82-55-210-5900 Fax: +82-55-286-5557

**Wipro Kawasaki Precision Machinery Private Limited**  
No. 15, Sy. No. 35 & 37, Kumbalgodu Industrial Area, Kumbalgodu Village, Kengeri Hobli, Bangalore, -560074, India



QR code  
Precision Machinery  
Company Website